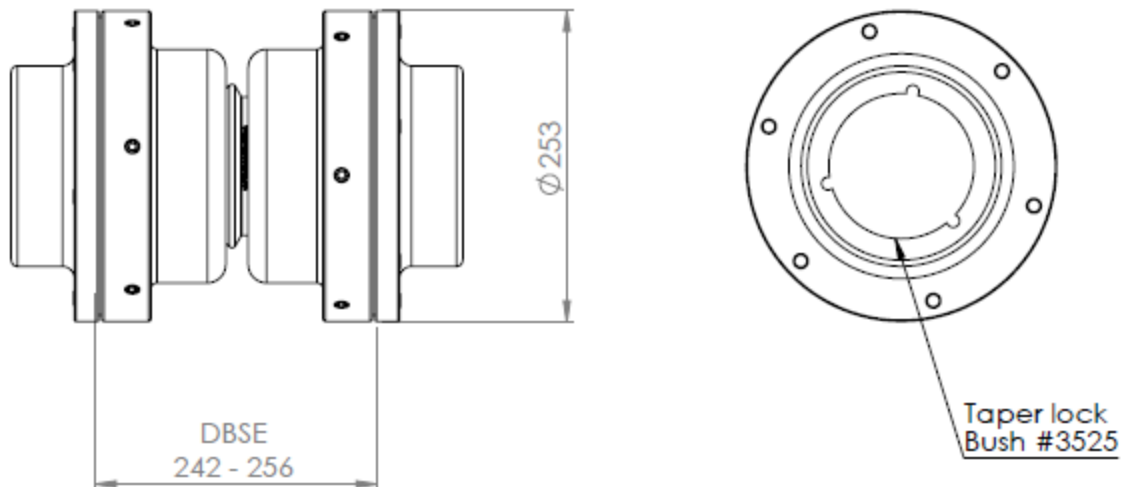


## Thompson Coupling Alignment Eliminator (TCAE- 4 – R) Technical Specifications and Details

<b>Max. Static Torque</b>	<b>6,720 Nm</b> (unfactored, non-reversing with minimal stop/starts)	
<b>Max. coupling Speed at a combined angle across input and output shafts of:</b>	<b>0-2 degrees</b>	<b>3,400 RPM</b>
	<b>3-6 degrees</b>	<b>2,800 RPM</b>
	<b>7-10 degrees</b>	<b>2,250 RPM</b>
<b>Max. Misalignment Angle</b>	<b>10 degrees</b> (total across input & output)	
<b>Min. Misalignment Angle</b>	<b>0 degree</b>	
<b>Max. Parallel shaft offset</b>	<b>+/- 17mm</b>	
<b>L<sub>10</sub> bearing life <sup>(1)</sup></b>	<b>Contact us for your specific application</b>	
<b>Max. Service Temperature</b>	<b>Up to 120 degrees Celsius</b>	
<b>Connection details</b>	<b>Keyed shaft via taper lock bush #3525. Shaft size range 35mm-100mm (1.50" – 4.00")</b>	
<b>Max Swing Diameter</b>	<b>253mm</b>	
<b>Overall Length</b>	<b>378 - 392 mm</b>	
<b>Distance between shaft ends</b>	<b>242 – 256 mm</b> (see drawing)	
<b>Weight</b>	<b>45.5 kg</b> (including QR flange weights)	
<b>Rotational moment of inertia</b>	<b>0,27 kgm<sup>2</sup></b>	

**Notes:**

- (1) Actual bearing life depends upon a combination of factors. These include equivalent speed, torque and articulated angle. Additionally, shock loads, and environmental conditions may also affect life ratings.
- (2) The Coupling can be laser aligned when initially installed but has it can handle axial, or parallel, or angular, or combination of any of these in misalignment, it does not need aligning after installation.
- (3) The coupling does not need maintenance, or lubrication once installed.



Dimensions and specifications subject to change without notice – Amended 22 Nov, 2020